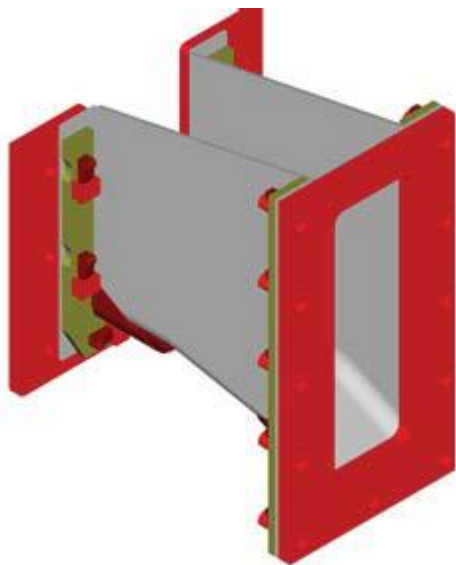


# TECHNICAL QUESTIONNAIRE

## Laundry Joints

Please copy one form per type and dimension and email the completed form to [wearflex@insulcon.com](mailto:wearflex@insulcon.com).

From	
Company	Department
Name	Your reference
Email	Phone
Design Data	
Measurements as indicated to the attached drawing;	
The tilting angle of the furnace and the location of the tilting point;	
If possible, the drawing of the "laundry assembly";	
If possible, the drawing of the "furnace cast spout assembly";	
If possible, photographs of "furnace – laundry assembly" during casting;	
If possible, photographs of "furnace – laundry assembly" in rest position;	
What is the casting temperature?;	
Which alloy are you using?;	
What is your flow level in the laundry joints?	
Laundry side:	



- Iron (Furnace and laundry side)
- Insulating material
- Steel
- Metal affirmative system

### Insulcon B.V.

Zilverhoek 4  
4651 SP Steenbergen  
The Netherlands  
+31(0) 167 565750  
[info@insulcon.com](mailto:info@insulcon.com)  
[wearflex@insulcon.com](mailto:wearflex@insulcon.com)

### Keramab N.V.

Haverheidelaan 4  
9140 Temse  
Belgium  
+32(0) 3 711.02.78  
[sales@keramab.com](mailto:sales@keramab.com)

### Insulcon GmbH

Welserstr. 7  
41468 Neuss  
Germany  
+49(0) 2131 408548-0  
[insulcongbh@insulcon.com](mailto:insulcongbh@insulcon.com)

### Insulcon Projects S.A.

Corso Elvezia 14  
6900 Lugano  
Switzerland  
+41(0) 91911739-0  
[infoch@insulcon.com](mailto:infoch@insulcon.com)

**Measurements:**

